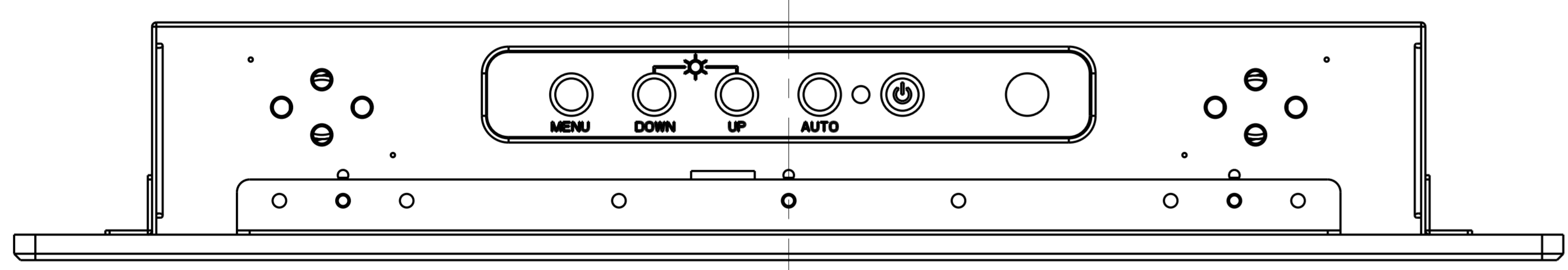
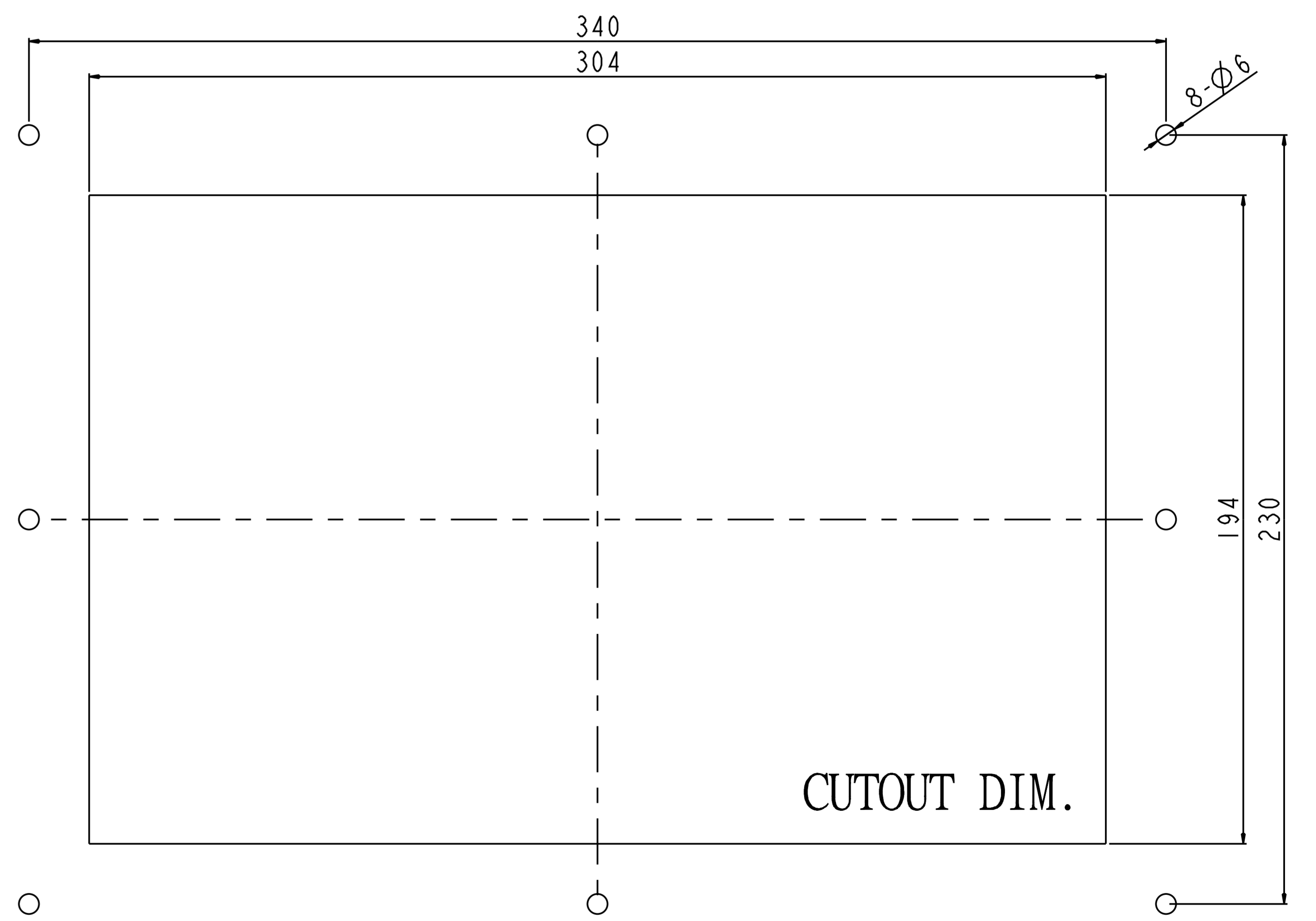


BOTTOM VIEW



TOP VIEW



CUTOUT DIM.

AD/BOARD		MODEL	PM1166			Winsonic Electronics. Co., Ltd.					
INVERTER											
KEY PAD											
PANEL :	VERSION	MATERIAL	METAL	DATE	2017-Sep-22	PART NAME	ASSEMBLY	DRAWN	Chris		
	V1									SCALE	1.000
						APPROVED				UNIT	MM